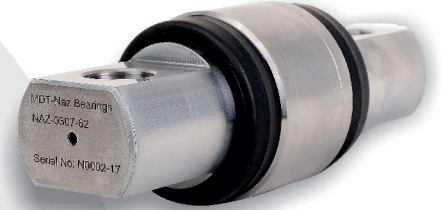


NAZ BEARINGS

by MENATEK



Self-lubricating bearings under the designation “NAZ” are all-terrain products engineered specifically to show constant ultra-high performance under heavy dynamic and static loads. These new generation bearings endowed with a robust liner technology and ultra-durable structure to complete two objectives; Survival of the vehicle on the battlefield and uninterrupted logistics.

• Safety First

Reliability is the core principle. NAZ Bearings have been developed to maintain its integrity under any circumstances. Every element have been tested vigorously under extreme conditions to ensure an uncompromised customer satisfaction.

• Unmatched Quality

Raw material selection is the only fundamental factor affecting every aspect of the end product therefore every acquisition of material tested under the principle of excellence before sent to manufacturing.

• Armor-Grade Structure

Inspiration taken from modern armor designs applied to the manufacturing processes of the bearings leads to a material matrix with gradually changing hardness and ductility that ensures maximum dynamic load dissipation and minimize crack propagation.

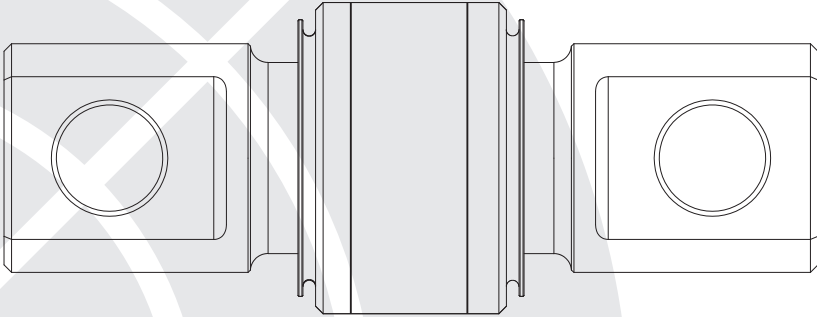
“GATHER TO DEVELOP”



MENATEK
Defense Technologies

NAZ BEARINGS

by MENATEK



Bearing General Information	
Type	Self-Lubricating Spherical Bearing
Applications	Heavy Armored Vehicles Up to 35 Tonnes High Speed Trains, Tramway and Metro Cars, Aerospace & Industrial Applications
Range of Motion (axial)	± 10,5°
Liner Properties	
Liner Compressive Strength	690 Mpa
Continuous Operating Temperature:	-50 °C to 160°C
Short Term Operating Temperature:	Up to 260°C
Debris - Dust Protection	Rubber Seal
Wear Pattern through liner body	Equally Distributed
Bearing Operational Integrity	
Safety Factors under 450 kN static load	
Shaft	>2
Liner	>2
Ring	>2
Chemical Resistance	
Water	Excellent
Steam	Excellent
Salt	Excellent
Organic Chlorides	Excellent
Solvents	Excellent
Oil	Excellent
Metal Chlorides	Excellent
Strong Acids	Excellent
High Temperature Strong Acids	Good

“GATHER TO DEVELOP”